

# JULIET

## JOYSTICK

### PRODUCT DESCRIPTION


Juliet joysticks are control devices for all industrial machinery. They operate as auxiliary controllers of electrical motors through a power interface, such as a contactor. Designed for heavy duty use by qualified operators, Juliet is aimed specifically for the industrial market. Size and shape, resulting from a thorough analysis of the ergonomic features of the product, combined with

the research of a graphic style suitable for a modern industrial environment, make Juliet easy to operate.


The equipment has been designed to facilitate maintenance, thus saving on time and costs.

Juliet is available with up to 5 speed in each direction, with cross or 360° movement.

### GENERAL TECHNICAL SPECIFICATIONS

- Conformity to Community Directives: 2006/95/CE 2006/42/CE
- Conformity to Standards: EN 60204-1 EN 60947-1 EN 60947-5-1
- Storage ambient temperature: -40°C/+70°C
- Operational ambient temperature: -25°C/+70°C
- Protection degree: IP 00 (IP 65 max. when assembled in specific enclosure)
- Operating positions: any position
- Weight: 250 g
- Markings and homologations: 

### TECHNICAL SPECIFICATIONS OF THE MICROSWITCHES

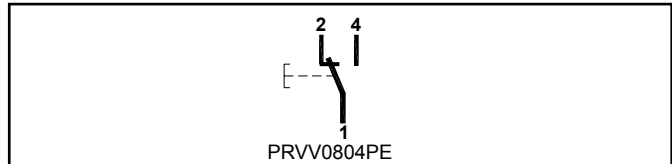
- Utilisation category: AC 15
- Rated operational current: 2 A
- Rated operational voltage: 48 V
- Rated thermal current: 8 A
- Rated insulation voltage: 60 V
- Mechanical life: 0.5x10<sup>6</sup> operations
- Connections: screw-type terminals
- Wires: 0,14 mm<sup>2</sup> - 1,5 mm<sup>2</sup>
- Tightening torque: 0,22 Nm - 0,25 Nm
- Markings and homologations: 

## FEATURES OF THE SWITCHES

The single switch PRVV0804PE has 1 NO + 1 NC change over contacts.

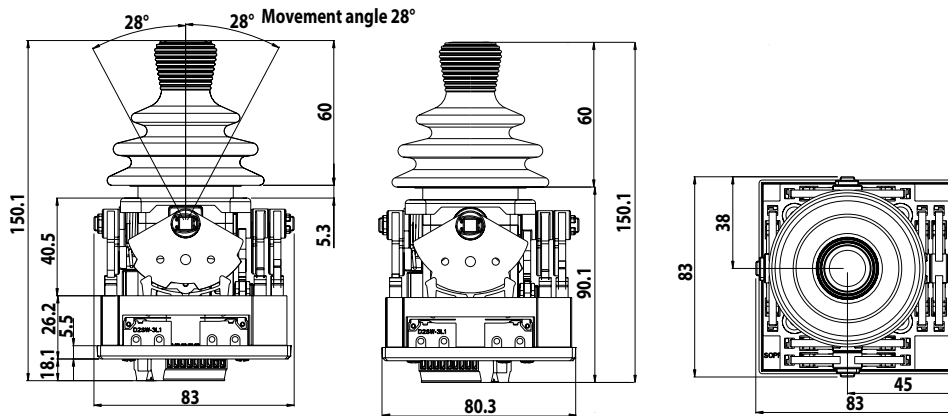
All NC contacts are of the positive opening operation type.

The switches have the following reference for internal wiring.

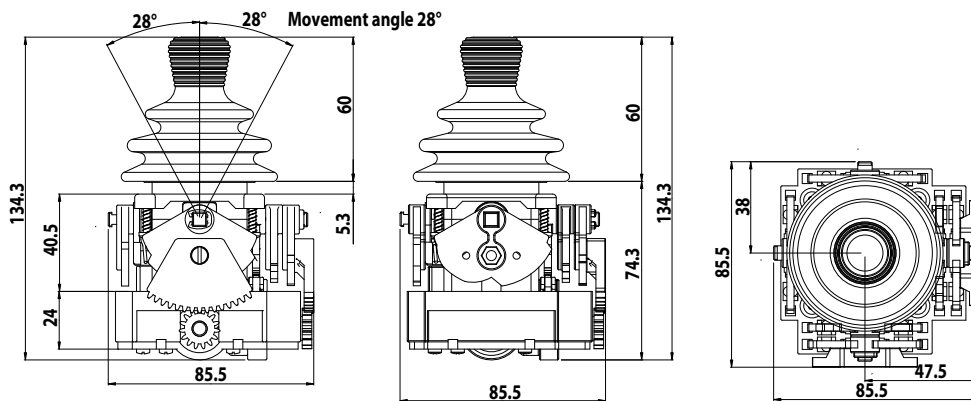


## OVERALL DIMENSIONS

Standard

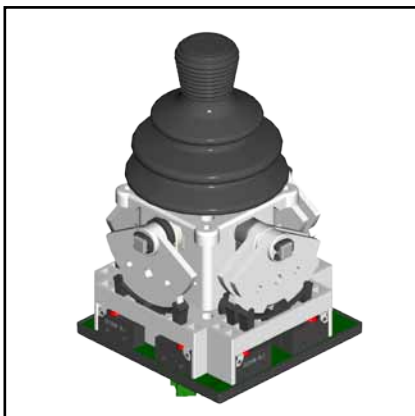


With external potentiometer

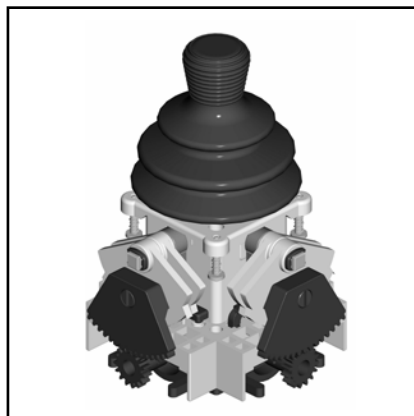


## POSSIBLE ASSEMBLIES

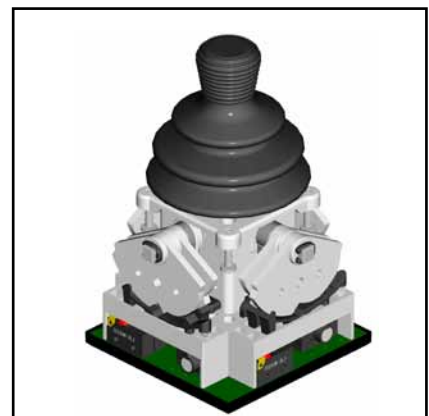
Standard



With external potentiometer



Proportional



The data and the products illustrated in this brochure may be modified without notice. Under no circumstances can their description have a contractual value.

PRCA0ESH00



**TER Tecno Elettrica Ravasi srl**

Via Garibaldi 29/31 - 23885 Calco (LC) - Italy

Registered Office - via San Vigilio 2 - 23887 Olgiate Molgora (LC) - Italy

Tel. +39 0399911011 - Fax +39 0399910445 - E-mail: info@terworld.com

[www.terworld.com](http://www.terworld.com)